

Collapsible Aluminum Work Cage (700903-1)



The Collapsible Work Cage from Spider is a lightweight, full size cage that disassembles without tools. It can pass through an 18 in. (457 mm) circular opening. Just one work cage offers the load rating and deck space of a full size cage and the compact size and easy disassembly of a restricted access platform. Low center of gravity provides a more stable work surface.

- Spider dependability
- Compatible with Zmac/1000®, SC1000, SC40, SC30 and other brand traction hoists
- Lightweight aluminum extrusion
- After disassembly, all pieces fit through an 18 in. (457 mm) opening
- Heaviest component is 60 lbs. (27.2 kg)
- Meets and/or exceeds OSHA & ANSI requirements

Key features:

- Easy disassembly without tools
- Aluminum construction
- Pin-style removal of sheave to speed wire rope reeving
- Lifting transfer lug acts as transfer rigging point; allows for crane lifting or horizontal travel with SA-1002 Transfer Chain
- Optional flydeck kits include complete replacement floor and handrail.

For flydecks, see accessories on page 73.

For welding installation details, see pages 68-70.

Specifications:	700903-1
Gross Load Capacity:	1,000 lbs. (453.6 kg)
Dimensions:	40 x 37 x 80 in. (1,016 x 940 x 2,032 mm)
Dimensions with 2 ft (0.6 m) Flydecks:	43 x 85 x 80 in. (1,092 x 2,159 x 2,032 mm)
Workspace Dimensions:	28 x 36 x 72 in. (711 x 914 x 1,829 mm)
Unit Weight without / with Flydecks:	150 lbs. (68 kg) / 250 lbs. (113.4 kg)
Maximum Live Load:	750 lbs. (340.2 kg)
Maximum Live Load with Flydecks:	500 lbs. (226.8 kg)

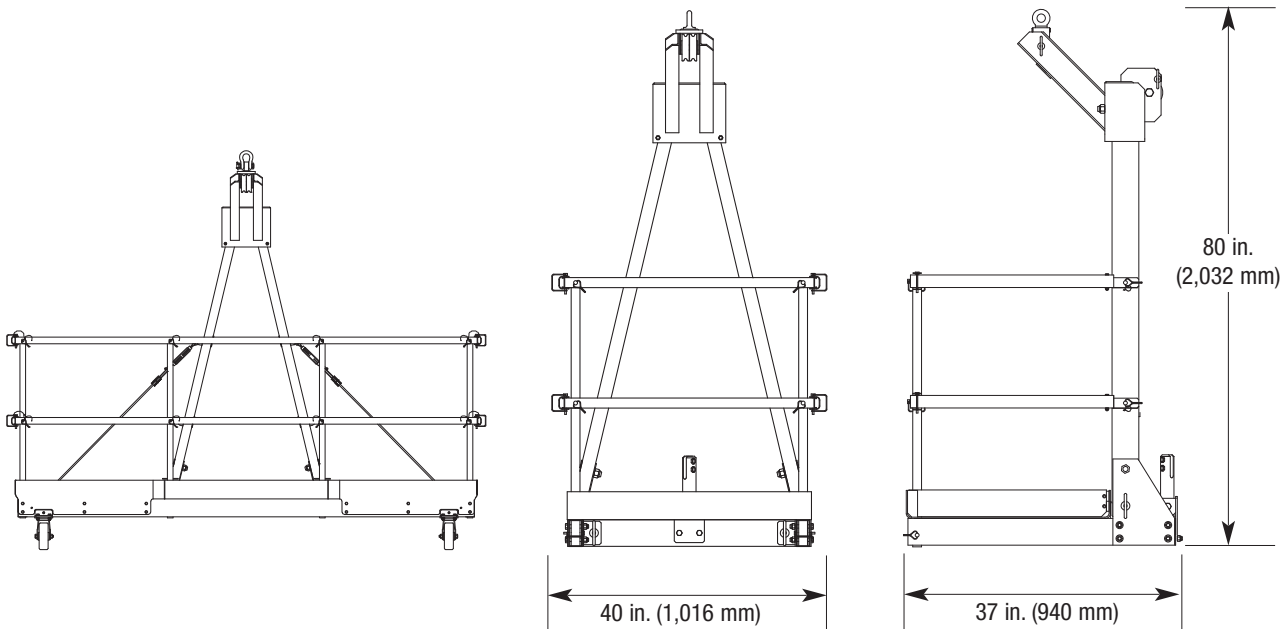


Disassembly steps:

- Remove hinged deck and handrails
- Collapse mast
- Pass all through 18 in. (457 mm) circular opening

Optional Equipment:

- Face Rollers (701037-1)
- Casters (700907-2)
- Optional flydecks to provide 7 ft (2.1 m) long work space (701114-1)
- Optional flydecks to provide 9 ft (2.7 m) long work space (700934-1)



**Shown with optional flydecks
to create a 9 ft (2.7 m) work cage**

**More information online at
www.spiderstaging.com**

For more information, call: 1-877-774-3370