



# ST-26 Mini Spider



The ST-26 is the product of choice for work in stacks, ship holds, boilers, digesters, power plants and similar areas with limited access, where a trailing wire rope can be a hazard.

- Has the capacity to carry two people
- Air-powered motor
- Reliable vented transmission prohibits entry of corrosive agents for greater durability.
- Reinforced midair transfer point
- Passes through an 18 in. (457 mm) circular opening
- Also available in larger dimensions with an electric motor by special order

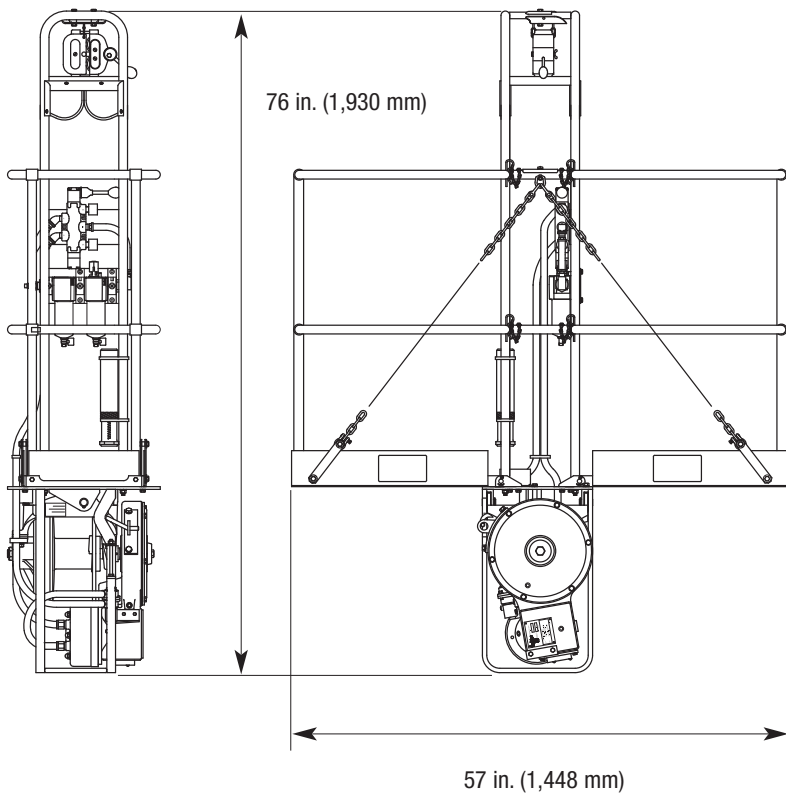
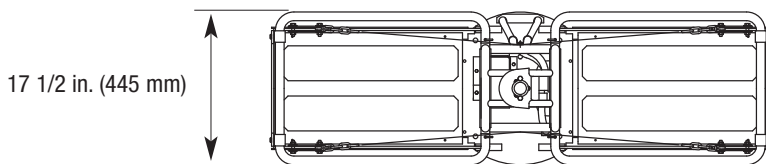
*For welding installation details, see pages 68-70.*

<b>Specifications: ST-26</b>
<b>Gross Load Capacity:</b> 1,000 lbs. (453.6 kg)
<b>Dimensions:</b> Open: 57 x 17 1/2 x 76 in. (1,448 x 445 x 1,930 mm) Folded: 13 1/2 x 17 1/2 x 76 in. (343 x 445 x 1,930 mm)
<b>Weight:</b> 180 lbs. (81.7 kg)
<b>Travel Speed:</b> 30 ft/min (9.2 m/min)
<b>Power Requirements:</b> 120 psi air @ 60 cfm
<b>Drum Capacity:</b> 235 ft (72 m)
<b>Wire Rope Size and Construction:</b> 5/16 in. (8 mm) Seale Construction 6 x 19
<b>Construction:</b> Aluminum and steel

**For more information, call: 1-877-774-3370**



ST-26 attached to platforms



**Frequently used accessories:**

- SA-1002 Transfer Chain on page 130.
- SA-1083-26 Drum Hoist Arc Guard Kit on page 138.
- 702049 Whip on page 50.

More information online at  
[www.spiderstaging.com](http://www.spiderstaging.com)

For more information, call: 1-877-774-3370