

Steel Work Cage (701086-1)



The Steel Work Cage is the most durable cage, field proven by Spider's rental fleet to last.

- Spider dependability
- Compatible with SC1000, Zmac/1000®, SC40, SC30 and other brand traction hoists
- Durable, welded steel construction
- Guardrails have rounded corners and access gates
- Fits through standard 36 in. (914 mm) doorway
- Lifting/transfer lug

Key features:

- Rugged steel construction
- Pin-style removal of sheave to speed wire rope reeving
- Lifting/transfer lug acts as transfer rigging point; allows for crane lifting or horizontal travel with SA-1002 Transfer Chain
- Casters included as standard equipment

See page 137 for our Safety Welding Ground 701151-1 for use with this work cage.

Specifications:	701086-1
Gross Load Capacity:	1,000 lbs. (453.6 kg)
Dimensions:	36 x 33 x 91 in. (914 x 838 x 2,311 mm)
Dimensions with 2 ft (0.6 m) Flydecks:	84 x 33 x 91 in. (2,134 x 838 x 2,311 mm)
Unit Weight without / with Flydecks:	150 lbs. (68 kg) / 250 lbs. (113.4 kg)
Maximum Live Load:	750 lbs. (340.2 kg)
Maximum Live Load with Flydecks:	500 lbs. (226.8 kg)

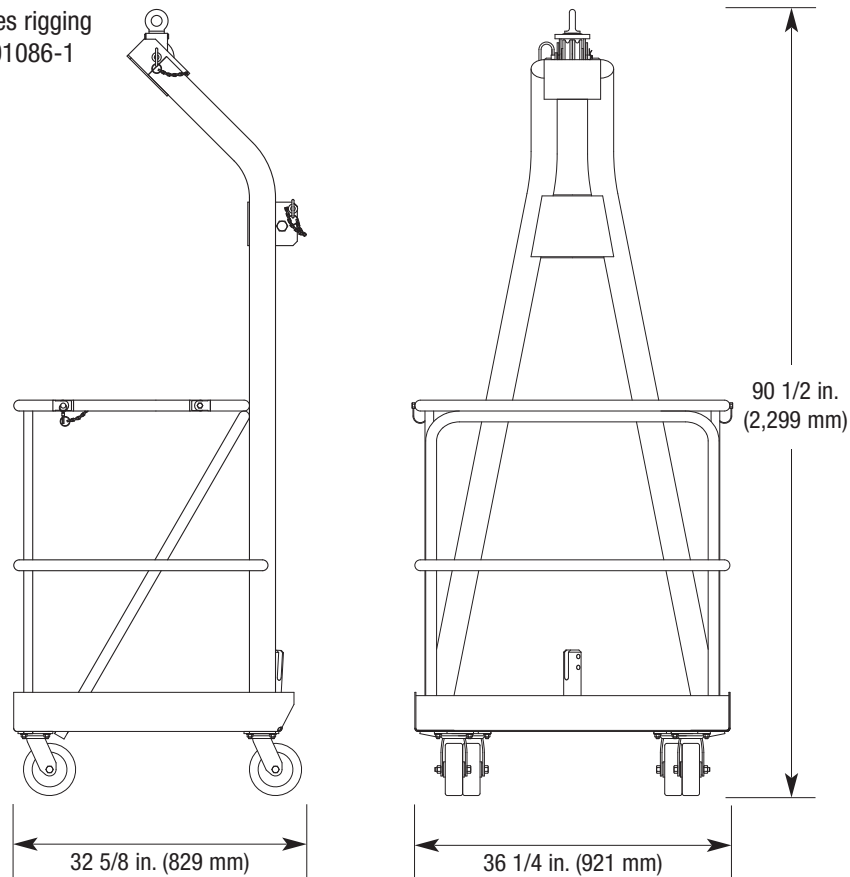
For more information, call: 1-877-774-3370



Frequently used accessories:
SA-1002 Transfer Chain to move work cage horizontally. See page 130.

- Additional optional equipment:**
- Face Rollers (SA-1035; SA-1036-3; SA-1036-4; SA-1036-5)
 - Flydecks to provide 7 ft (2.1 m) work space (SA-1050)
 - Flydecks to provide 9 ft (2.7 m) work space (SA-1051).

Pin-style sheave connection reduces rigging time for both the 700903-1 and 701086-1 work cages.



More information online at
www.spiderstaging.com

For more information, call: 1-877-774-3370