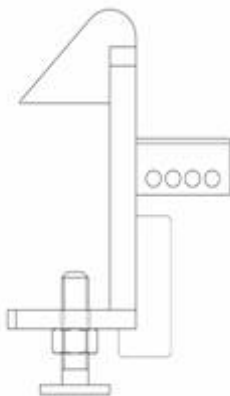
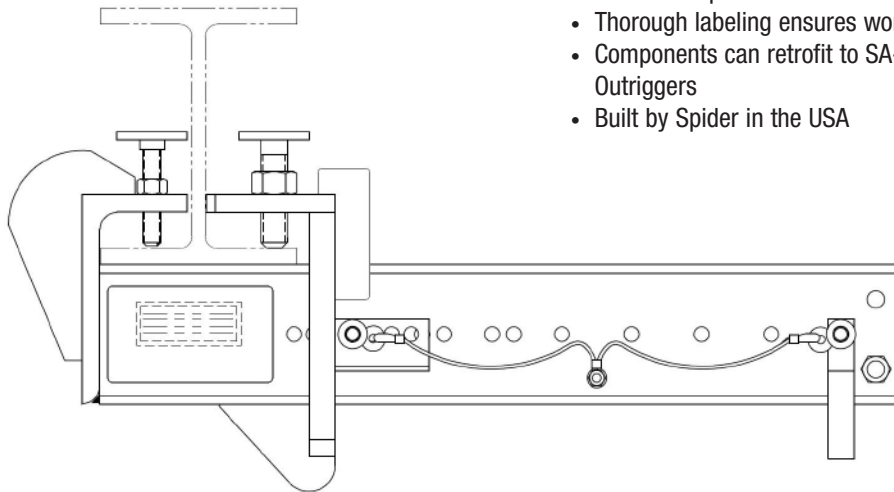


Bottom Flange Truss Outrigger (702554-1) **NEW**

The Bottom Flange Truss Outrigger expands ability to mount to bottom flange of beams when unable to rig from the top flange.

Key Features:

- Heavy duty steel construction with stainless steel hardware
- Use only on beams with flange width of 6 in. (152 mm) or larger. Beam must support 1,000 lbs. (453.6 kg) vertical load and up to 19,750 ft-lbs of torque with safety factor of 4.
- No tools required for installation
- Thorough labeling ensures worry-free installation
- Components can retrofit to SA-4474 Top Flange Truss Outriggers
- Built by Spider in the USA



Want to retrofit an SA-4474? Order 702692-1 for bracket at left. See Service Instructions for details.

Specifications:	702554-1
Load Rating:	1,000 lbs. (453.6 kg)
Weight:	38 lbs. (17.2 kg)
Minimum Flange:	6 in. (152 mm) inside
Outreach:	3 in. (76 mm) minimum or 15.2 in. (386 mm) maximum at 6 in. (152 mm) flange size

For more information, call: 1-877-774-3370