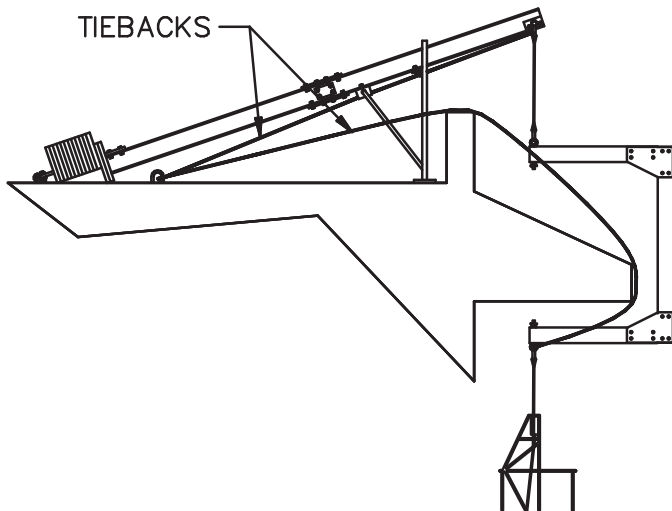
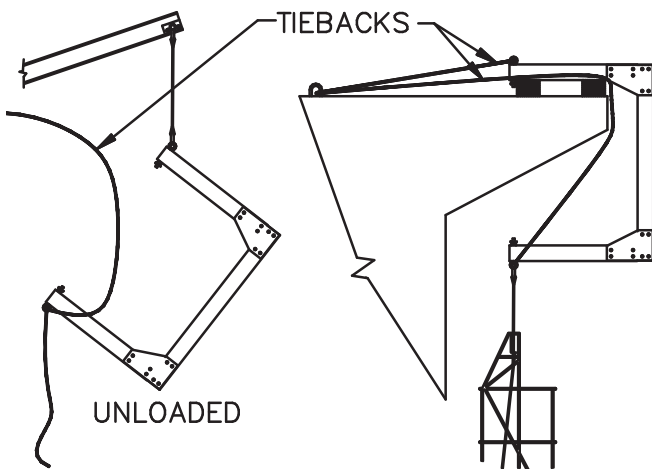


# C-Beam Assembly (701135-1)



Suspended from outrigger beam



Cornice-mounted

The C-beam allows rigging a suspension rope close to a building face below cornices and ledges. The C-beam can be used as a cornice hook, or it can be suspended from a standard outrigger beam with shackles, steel wire rope or turnbuckles.

### Key Features:

- Versatile use with beam outrigger or same stand alone
- Made from heavy duty aluminum extrusion time-tested in our permanently installed davits
- Extensive product labels make proper installation goof-proof
- Built by Spider in the USA

<b>Specifications:</b>	<b>701135-1</b>
<b>Capacity:</b>	1,500 lbs. (680.4 kg)
<b>Height:</b>	48 in. (1,219 mm) inside 67.5 in. (1,715 mm) outside
<b>Weight:</b>	134 lbs. (60.8 kg)
<b>Horizontal Reach:</b>	44 in. (1,118 mm) inside
<b>Construction:</b>	Aluminum extrusion and aluminum plate

Additional rigging notes apply to this product. Contact your Spider professional.

*Custom Dimensions Available  
Call Spider for details*

**For more information, call: 1-877-774-3370**