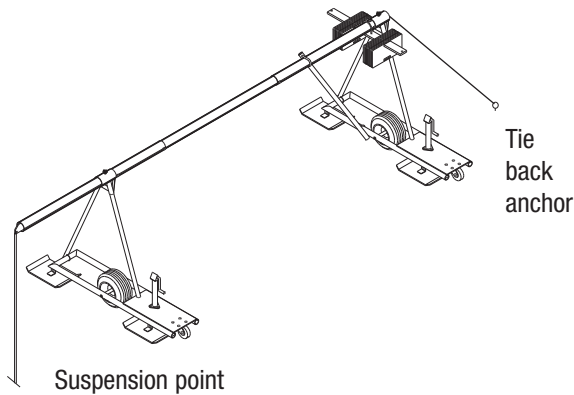


Rolling Outrigger Aluminum Tube Outrigger (SA-3728)

Specifications:	SA-3728
Load/Capacity:	1,000 lbs. (453.6 kg)
Weight:	385 lbs. (174.6 kg)
Outreach:	14-55 in. (355-1,397 mm) in 2 in. (51 mm) increments
Construction:	Aluminum extrusion and steel

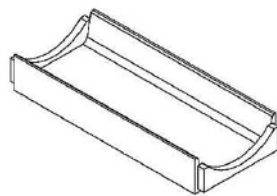
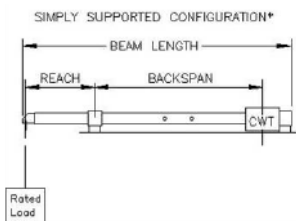


Key Features:

- Clears a 52 in. (1,320 mm) parapet; adjusts to lengths of 16, 19 and 22 ft (4.9, 5.8 and 6.7 m)
- Large pneumatic tires roll easily on smooth and some uneven surfaces.*
- For use on flat surfaces
- Easy to transport and assemble
- Extensive labels show step by step assembly instructions with photographs for goof-proof installation.
- Counterweight chart label shows how many 50 lb. (22.7 kg) weights are required for your outreach – **No guesses, no math**
- Beams can be used without rolling stanchions if properly braced. Contact your Spider professional for details.
- Built by Spider in the USA
- Available in rental fleet only

* Some roof surfaces will need to be covered with plywood for roof protection and easy rolling.

Outrigger Beam Support (702012-1) NEW



New Outrigger Beam Support adapts SA-3728 Pipe Outrigger Beam to work with OBSF Frame, Outrigger Support Stand, new Corner Support Post, parapet-mounted or simple supported applications.

Key Features:

- Adapts pipe-style beam from SA-3728 Rolling Outrigger for use with OBSF frame A-11393 to increase capacity to 1,250 lbs (567 kg) and 1,500 lbs. (680.4 kg)
- Allows for beam to sit on structural parapet wall with SA-10842 outrigger support stands at back-end of beam
- Can be used with 701877-1 Corner Support Post
- Heavy duty steel construction
- No tools required for installation
- Thorough labeling ensures worry-free installation
- Built by Spider in the USA

Specifications:	702012-1
Load/Capacity:	1,500 lbs. (680.4 kg)
Weight:	9 lbs. (4.1 kg)
Outreach:	44 in. (1,118 mm) at 1,250 lbs. (567 kg) 36 in. (914 mm) at 1,500 lbs. (680.4 kg)

More information online at
www.spiderstaging.com

For more information, call: 1-877-774-3370