

Modular, Simple, Stable **NEW**



Spider's range of solutions puts workers on the blade surfaces for the full scope of work performed at height. From single point inspection systems to 360° access platforms to specialized custom designs, Spider has the modular components, ease of supply and transportability, engineering expertise and installation know-how to get the repair work done productively.

Modular platforms help your investment go farther:

- Easy to transport
- Universal solution
- Reconfigure for blade inspection or tower access
- Minimal crew required to operate
- Available for rent/sale and aftermarket support in 25 locations in the Americas
- US-made and sourced, easy spares and aftermarket support
- Simple operation and safety features, to improve productivity and reduce downtime
- May not require DOT reporting to transport

"We love how modular the 360 BAP is. Our composite techs were very impressed with the speed in which it assembled on the ground. In just 2 hours we were able to assemble and rig, and within 8 minutes we left the ground and were able to capture the blade. In my experience, no other access method - whether a crane, rope access or man lift - could have done the job quicker, more cost effectively and as safely."

- Jim Lankford,
Owner & President
Lankford Painting Company

Blade Access Platform (BAP)

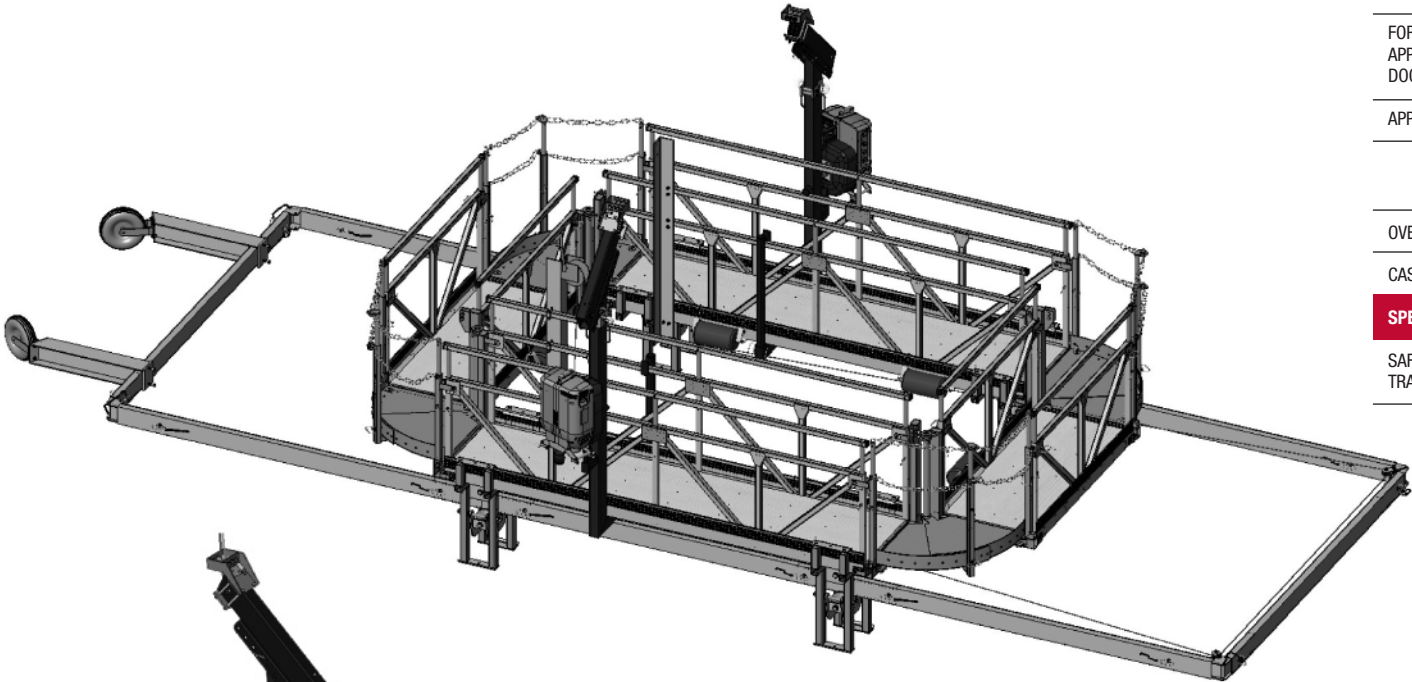
For blade inspection and repair operations, suspended platforms offer a safe, productive, and cost-effective alternative to cranes, ground-based lifts and rope access solutions.

Tower Access Platform (TAP)

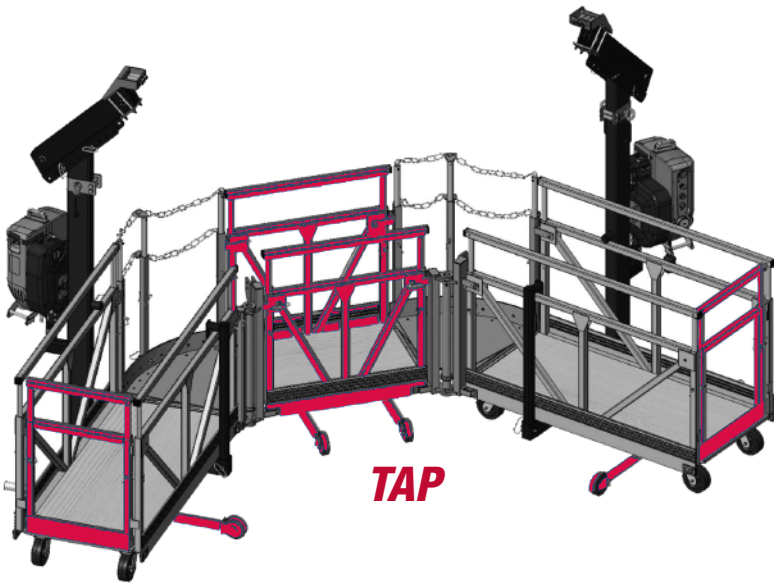
We expertly rig platforms and manage equipment moves around the tower. Spider can provide platform operators, keeping your skilled professionals focused on their trade.



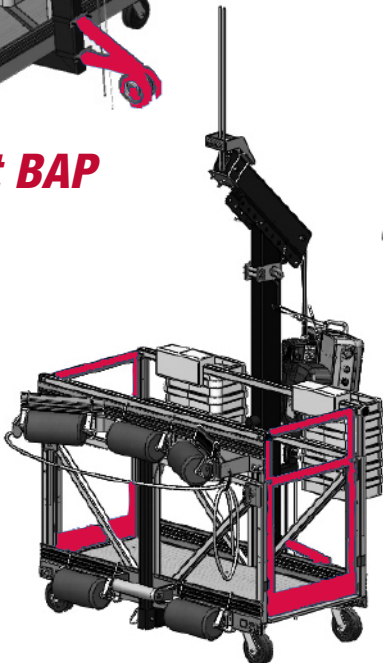
***If you have the 360° BAP convert it into a 5 ft BAP,
6.7 ft BAP or TAP in moments***



6.7 ft BAP



TAP



5 ft BAP

***Simple Modular Construction is
configurable to various tower or blade
repair scopes by simply adding the
highlighted items***



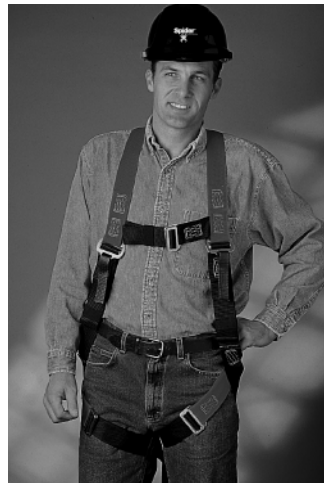
Reconfigurable



5 ft (1.5 m) Blade Access Platforms

| | |
|-----------------------------|---|
| Specifications: | |
| Platform Capacity: | 750 lbs. max* (340.2 kg) (live load) |
| Platform Weight: | 600 lbs. min (272.2 kg) (dead load) |
| Platform Dimensions: | 5 ft L x 2 ft 5 3/8 in. W x 2 ft 7 in. – 3 ft 9 in. (variable) H (1.5 m L x 0.75 m W x 0.8-1.1 m (variable) H) |
| Handrail Height: | Max. 42 in. (1.1 m) above floorboards Min. 31 in. (0.8 m) |

*Canadian platforms use alternate load ratings



6.7 ft (2 m) Blade Access Platform

| | |
|-----------------------------|--|
| Specifications: | |
| Platform Capacity: | 772 lbs. max* (350.2 kg) (live load) |
| Platform Weight: | 1,481 lbs. min (671.8 kg) (dead load) |
| Platform Dimensions: | 6 ft 8 in. L x 4 ft 8 in. W x 7 ft 11 in. H (2 m L x 1.4 m W x 2.4 m H) |
| Handrail Height: | Max. 42 in. (1.1 m) above floorboards Min. 31 in. (0.8 m) |

*Canadian platforms use alternate load ratings

Tower Access Platform

| | |
|-----------------------------|--|
| Specifications: | |
| Platform Capacity: | 1,494 lbs. max* (677.7 kg) (live load) |
| Platform Weight: | 1,506 lbs. min (683.1 kg) (dead load) |
| Platform Dimensions: | 5 ft L x 3 ft W x 5 ft H (1.5 m L x 1 m W x 1.5 m H) |
| Handrail Height: | Max. 42 in. (1.1 m) above floorboards Min. 31 in. (0.8 m) |

*Canadian platforms use alternate load ratings

Watch the 360° BAP in action at
<http://www.spiderstaging.com/wind/Videos/360BAP/bladeAccess.html>

360° Blade Access Platform

| | |
|---|---|
| Specifications: | |
| Platform Capacity: | 720 lbs. max* (326.6 kg) (live load) |
| Platform Weight: | 2,210 lbs. min (1002.4 kg) |
| Platform Dimensions: | 10 ft. 9 3/16 in. x 13 ft. in outside** (3.3 m x 4.1 m**) |
| Standard Opening to receive blade: | 10 ft. 2 in. x 5 ft. 10 in. ** (3.1 m x 1.8 m**) |
| Total Platform Height: | 9 ft 2 in. (2.8 m) |
| Minimum Blade to Tower Distance: | 3 ft 7 in. (1.1 m) Dimensions vary with configuration selected |
| Handrail Height: | Max. 42 in. (1.1 m) above floorboards Min. 31 in. (0.8 m) |

*Canadian platforms use alternate load ratings

**Standard configuration. Additional sizes available.

