

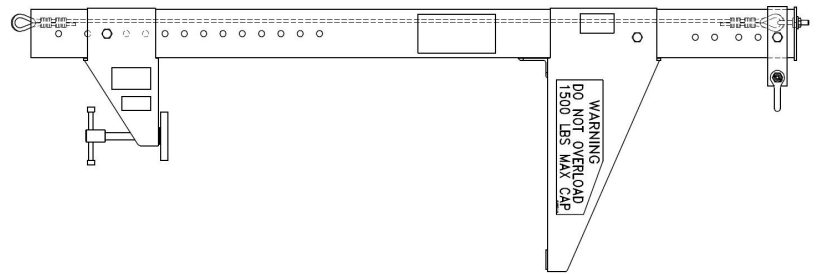
New Product Alert – Rigging Device

Extended Parapet Clamp 702396-1

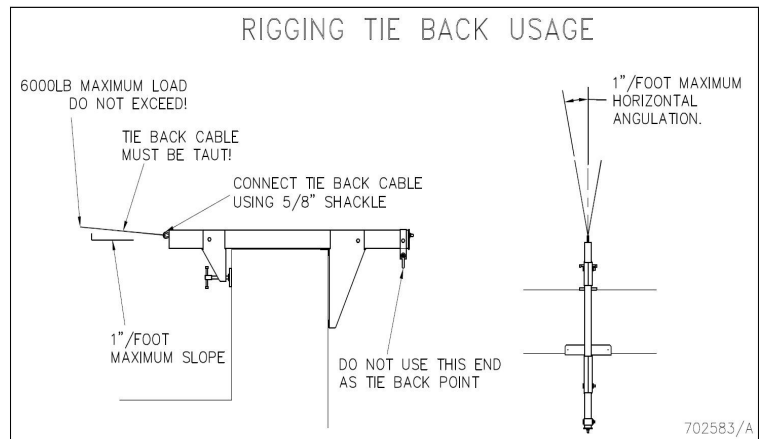


Allows for parapet clamp use on parapet walls up to 44 in thick. New labeling allows for use of parapet clamp as a tieback anchorage when roof conditions provide no anchorage point.

- Heavy duty steel and aluminum alloy construction
- No tools required for installation
- Thorough labeling ensures worry-free installation
- Use beam portion 702606-1 with existing 8-0044 front and rear assemblies to modify parapet clamps in the field
- Built by Spider in the USA



Load Rating:	1500 lbs
Outreach:	24 in
Weight:	58 lbs
Maximum Throat Opening:	44 in
Minimum Throat Opening:	18 in



Call Spider today to discuss your rental needs: (877) 774-3370

