

New Product Alert – Rigging Device

701881-1 H-Plate Assembly



Engineered connection to adjust outrigger beam rigging point and/or backspan to fit jobsite conditions.

- ✓ **Allows user to reduce backspan where space is limited by balconies, walkways or other obstructions.** (Figure 1)
- ✓ **Allows user to adjust the backspan to tie the beam directly down to a structural anchor.** (Figure 1)
- ✓ **Allows user to reduce the beam outreach to reduce counterweights used.** (Figure 2)

- Heavy duty steel construction
- Used with 700751-1 6x4 , 8-0217-5/6/7 5x5 and 4720-01/-02/-34 outrigger beam assemblies
- No tools installation
- Tieback required, block end of beam with 5/8" shackle at usual rigging point
- Shackles included
- Thorough labeling simplifies worry-free installation
- Built by Spider in the USA

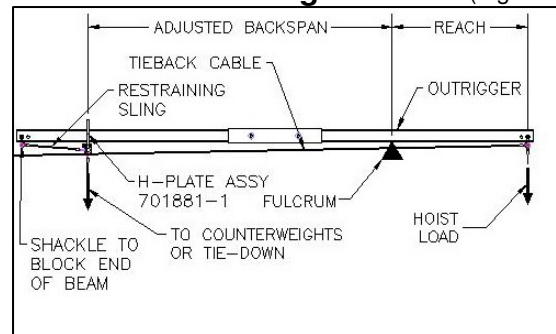


Figure 1- hoist rigging point at right

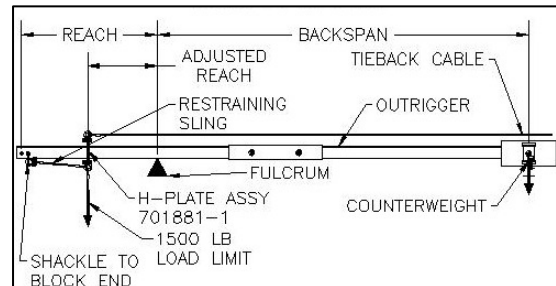


Figure 2 – hoist rigging point at left

Load Rating:	1500 lbs
Weight:	4 lbs
Dimensions:	7 x 11 x .5 in thick
Outreach:	Per Outrigger Beam
Backspan:	Minimum is 1.5 times outreach

Call Spider today to discuss your rental needs: (877) 774-3370

