

Spider works on wind turbines globally

More than 60 years of experience in moving people to where the work is and managing our own equipment fleet drives better product designs and practical training solutions.

Reliable... Fully Code Compliant... Trusted... Experienced

[Click here to request a Spider Solutions Catalog](#)

Access Sales, Rentals, Labor Services, Safety Solutions and Training for Wind O&M Professionals



Founder

Market Leader

Unmatched Solutions Capability

Flexible Vertically Integrated Manufacturer

Highly Specialized Global Design, Application & Support Expertise

Robust Financial Strength

Since 1947



Safety & Training

Spider has trained thousands of technicians to safely work with suspended access equipment all over the world.



We believe in hands on training in the field and in our classrooms. We back up this commitment to practical, actionable training:

Content specialized to wind farm technicians

Delivered by 21 Certified Trainers

Offered in our Industry-Leading Training Facility with full access for safe rigging, ladder climbing and fall prevention

Successful individuals in our Competent Person program meet the standards set forth by federal OSHA for training of a competent person and receive certificates for verification.

Content meets OSHA requirements and is approved by several municipalities to meet their criteria.

Spider Training Benefits:

Improves worker safety awareness

Helps control accident-related costs

Maintains OSHA compliance

Saves downtime due to operator errors

Prevents damage to structures from equipment misuse

Projects better professionalism of employees

Shows commitment to employee safety





Tower Access

We expertly rig platforms and manage equipment moves around the tower. Spider can provide platform operators, keeping your skilled professionals focused on their trade.

Our turnkey code-compliant lifting platform solutions are configured to:

the working swath or coverage area

specific loads carried

power availability & condition

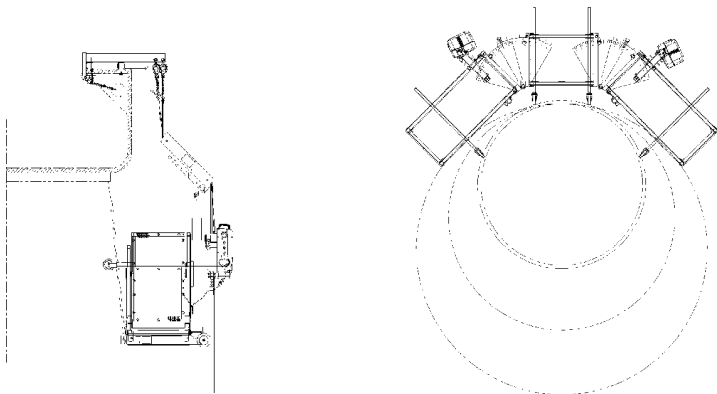
stabilization needs

proximity to the work surface

complete fall protection coverage

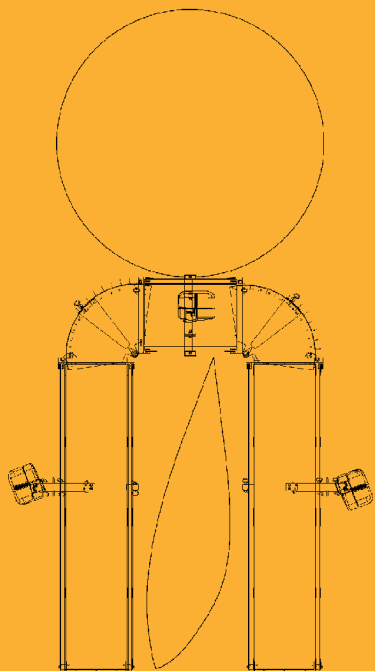


Versatile modular equipment stocked in 24 locations, experienced riggers and professional engineering support meet all your tower access needs.



Blade Access

Spider's range of solutions puts workers on the blade surfaces for the full range of work performed at height. From single point inspection systems to 360° access platforms to specialized custom-designs, Spider has the modular components, ease of supply and transportability, engineering expertise and installation know-how to get the repair work done productively.



Expertly configured to meet your needs

Load Capacity: 250 to 1500 lbs

UL/CUL listed hoists

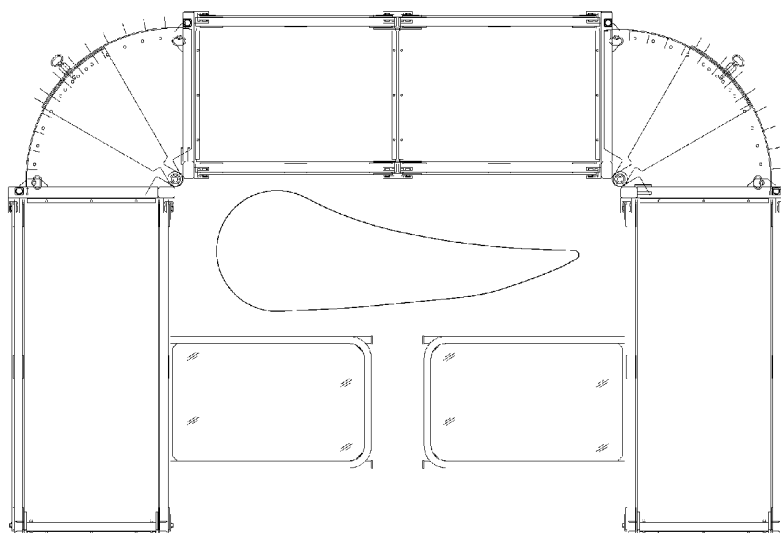
Designed for more uptime and less maintenance

Built-in overspeed brake – no risk of bypassing this safety device or failing to install it

Travel at fastest speeds allowed by law

Stabilization options for best productivity

Quality solutions available for sale or rental with local service



Blade Access

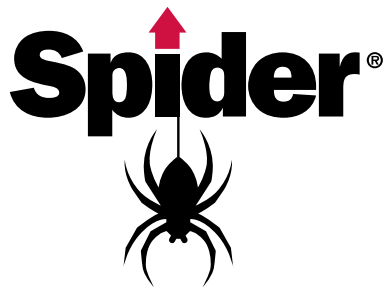
Wind farm O&M defines extreme performance. It is meeting rigorous schedules and tough expectations of products and making training practical to drive real productivity safely that distinguishes an access solutions professional. Spider delivers.

Case in Point - This custom platform positively locks to the tower to provide greater stability even at the fullest 20 ft extension, at maximum rated wind speeds. The scope of supply included securing UL and CUL certification of the system to UL 1322, extensive multi-state onsite installation supervision, operator training and competent person certification.

Design, engineering, certification, and supply were concluded in less than 90 days – showing we have the resources to meet the pressing needs of turbine owners. Operators cited significantly more room to perform their work, and improved productivity from the greater stability of this platform – compared with another supplier's solution, equipment that required 4 taglines, 2 safety lines, a single line platform and 7 people to operate it.

With serviceability in mind, we proactively integrated easily accessible, removable components for faster platform maintenance, and simpler transportability from site to site. **More farm-level experience to drive better solutions for lower total cost of ownership and better support – it's what we do.**





The Market Leader for more than 60 years!

Whether you're looking to rent wind access solutions or to add to your equipment fleet, Spider has the product and service solutions available across the country to get the work done productively. Spider partners with the best-managed contractors in North America and beyond. These owners and leaders demand reliability and they put their trust in Spider.

Spider invests in UL® and CUL Certification for your safety. Spider designs, engineers, builds and tests its hoists in accordance with the Underwriters Laboratories UL1323 standard for hoists as required by OSHA under OSHA 1910.28(i)(1) & (g)(3) and 1926.451(d)(13).

Employers are required under OSHA to use hoists tested by both a Nationally Recognized Testing Laboratory and a Qualified Testing Laboratory, depending on which code section applies. Underwriters Laboratory (UL®) is one of three Nationally Recognized Testing Laboratories accredited to test to the UL1323 standard.

Spider makes the choice to list our hoists with UL® because it provides Spider equipment users equipment that is safer than products listed by other labs. This gives Spider customers peace of mind. UL® interprets the UL1323 test standard with the intent from which this code was written and rigorously applies the UL1323 code to its initial performance testing protocol and its ongoing certification program.

Not all manufacturers invest in UL® listing. Our hoists are UL® listed. To verify the listing status, see that SafeWorks earned its UL Classification and continues to maintain this listing in file TUFV. SA5062 at www.UL.com.



Examiners employed by Underwriters Laboratories regularly inspect our hoists during production in our factories to verify consistent sustained production of the products as designed and originally tested and listed. This drives a safer, more reliable product for our users. For operating instructions, consult the Owner's Manual.

